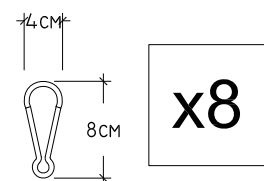
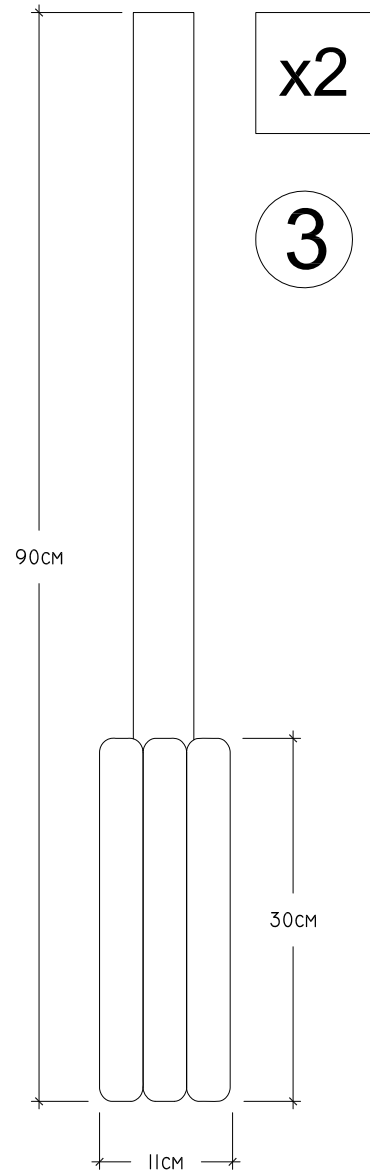
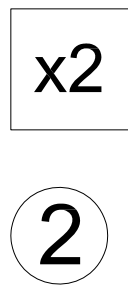
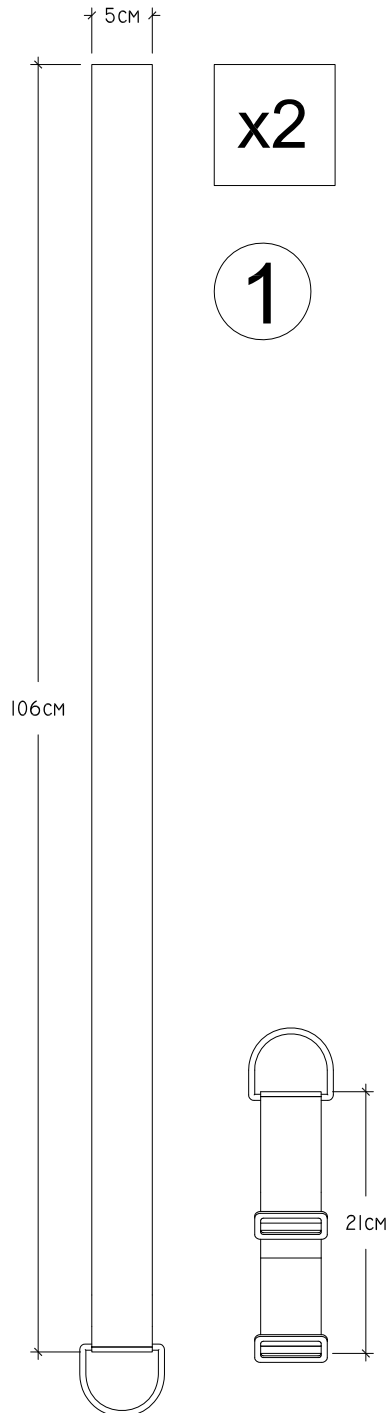
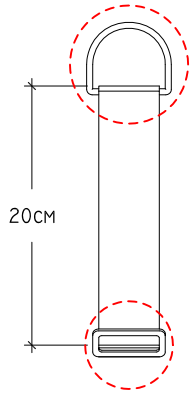


ASSEMBLY INSTRUCTIONS

RECTANGULAR SLING

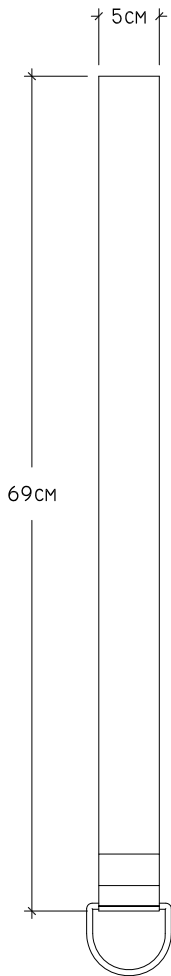
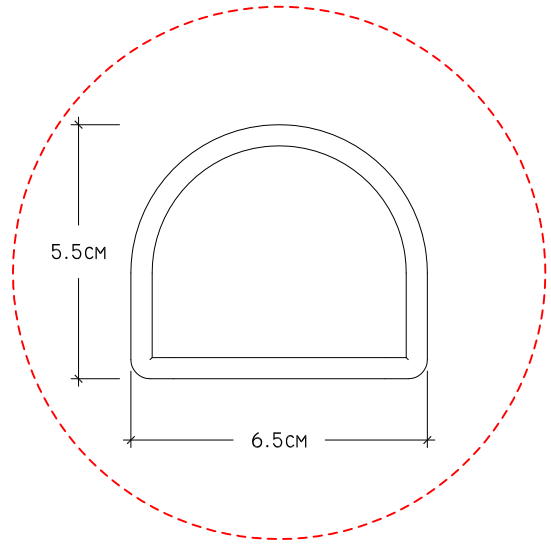
PARTS, QUANTITY & DIMENSIONS





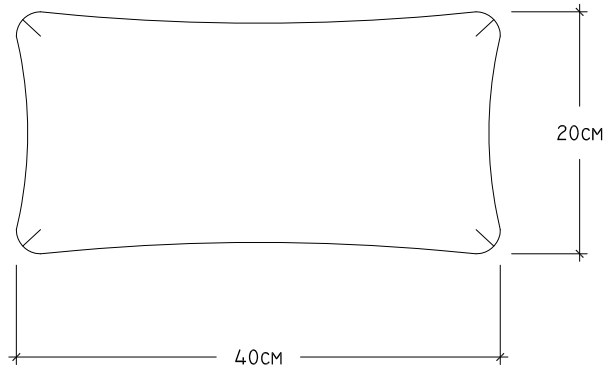
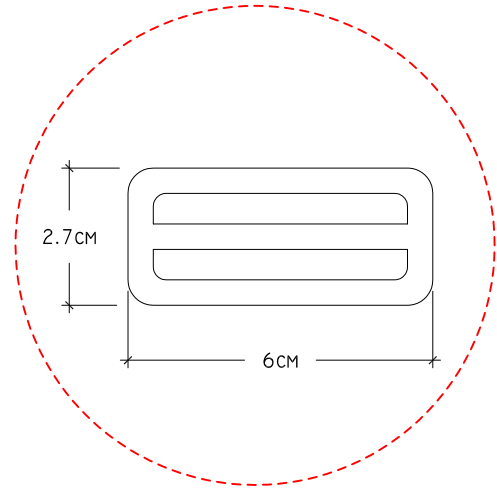
x2

4

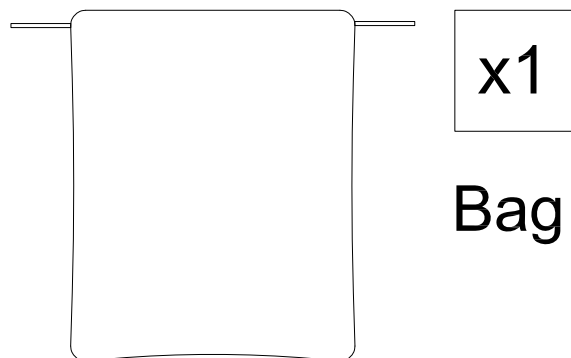
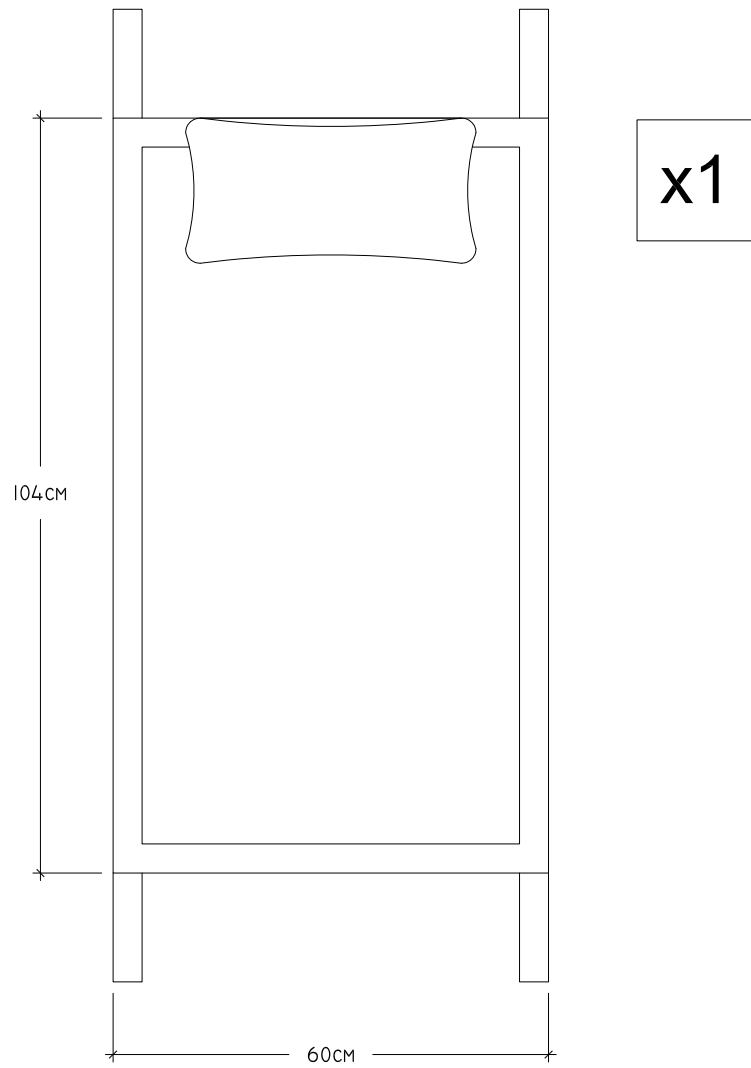


x2

5

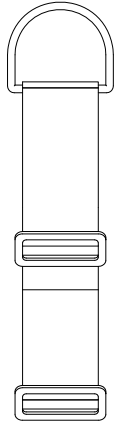
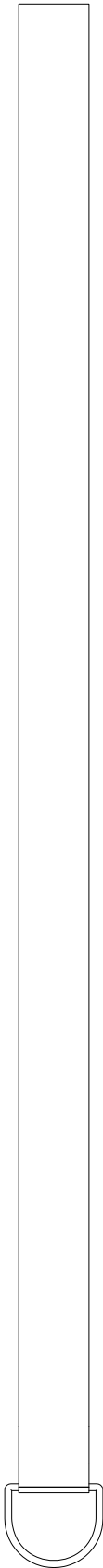


x1

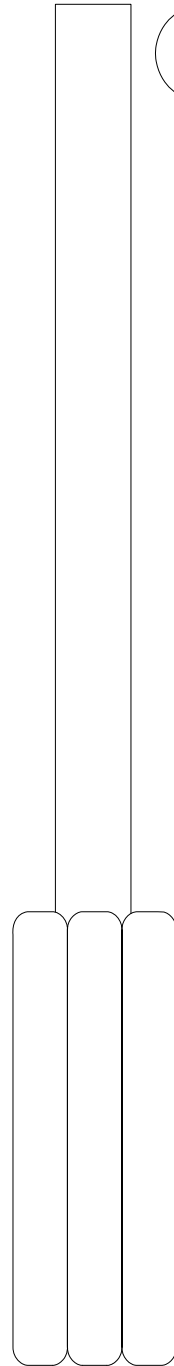


PROCESS

1

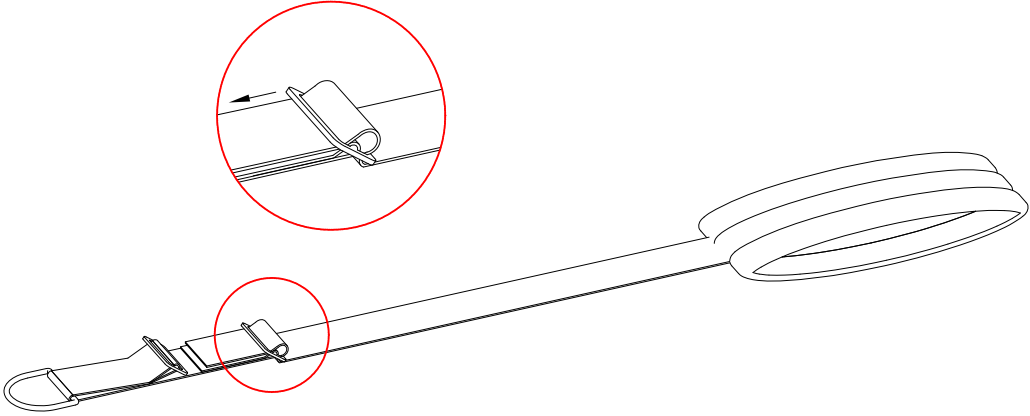
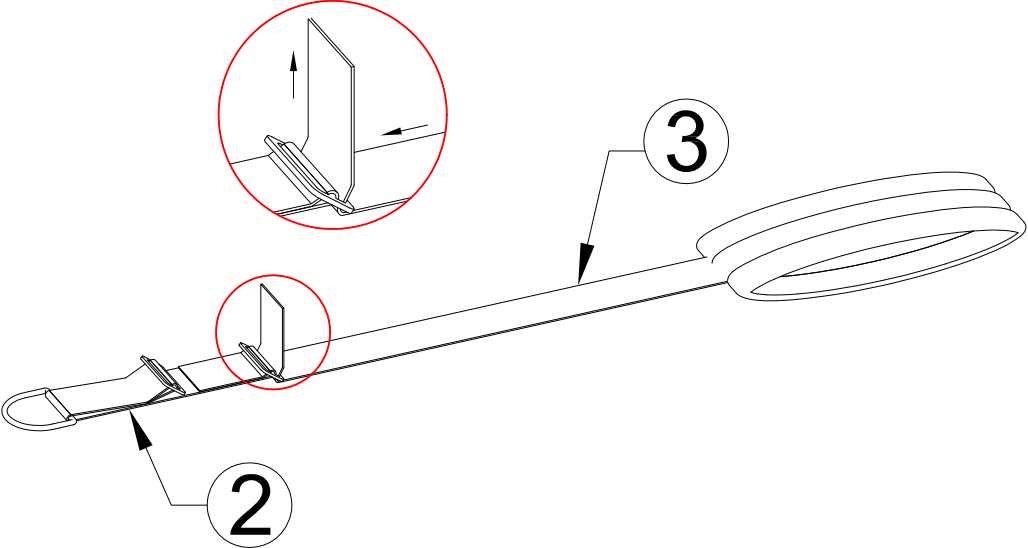


2

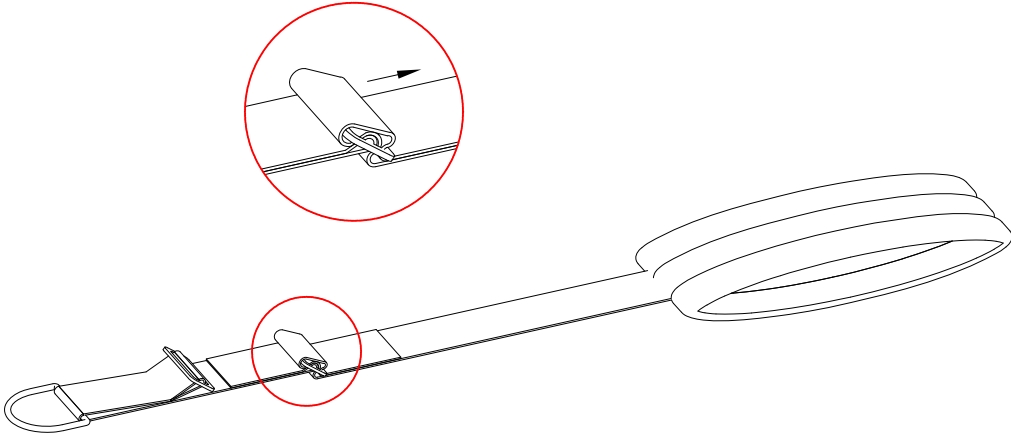
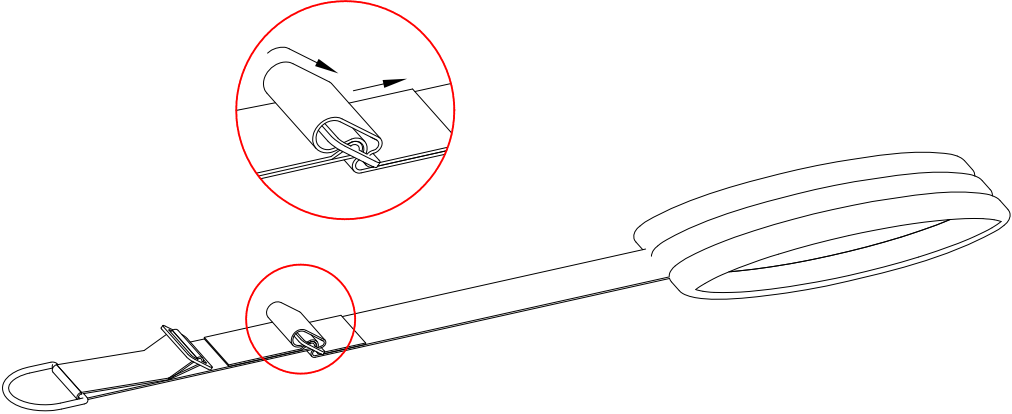


3

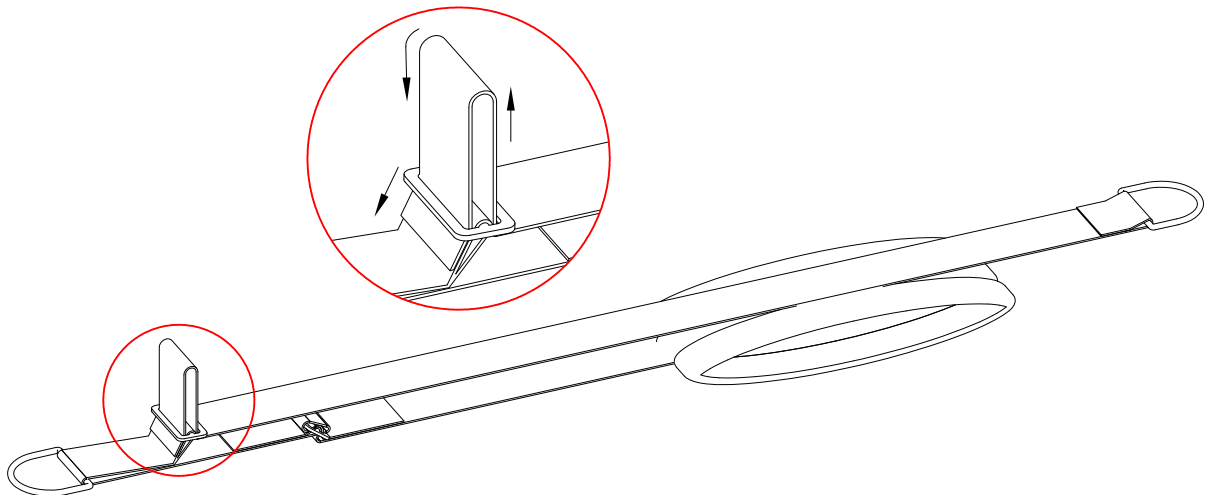
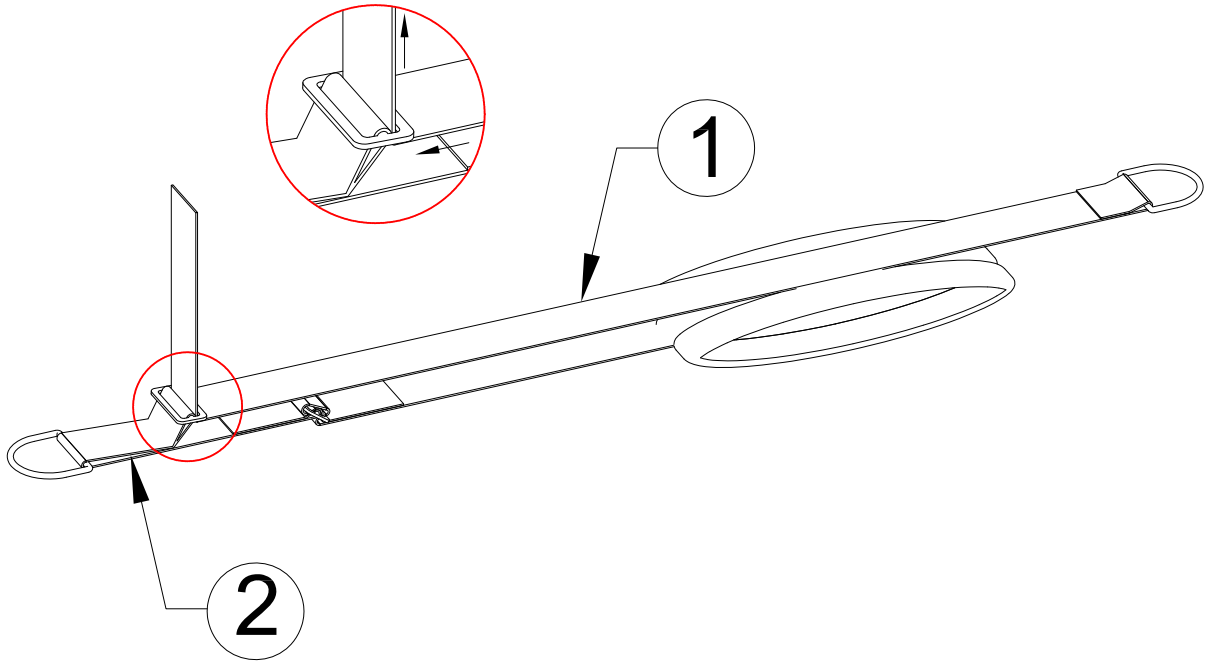
Step 01



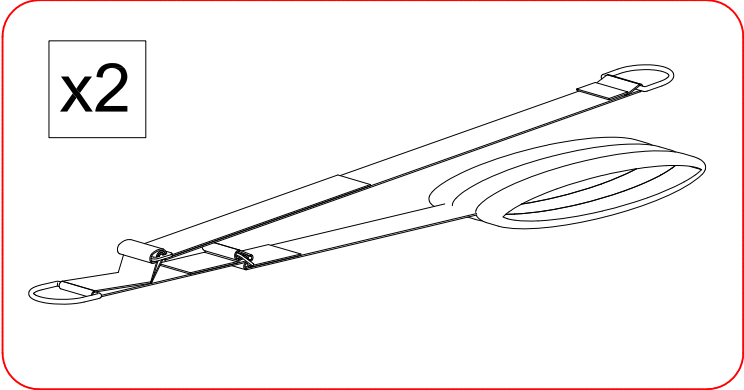
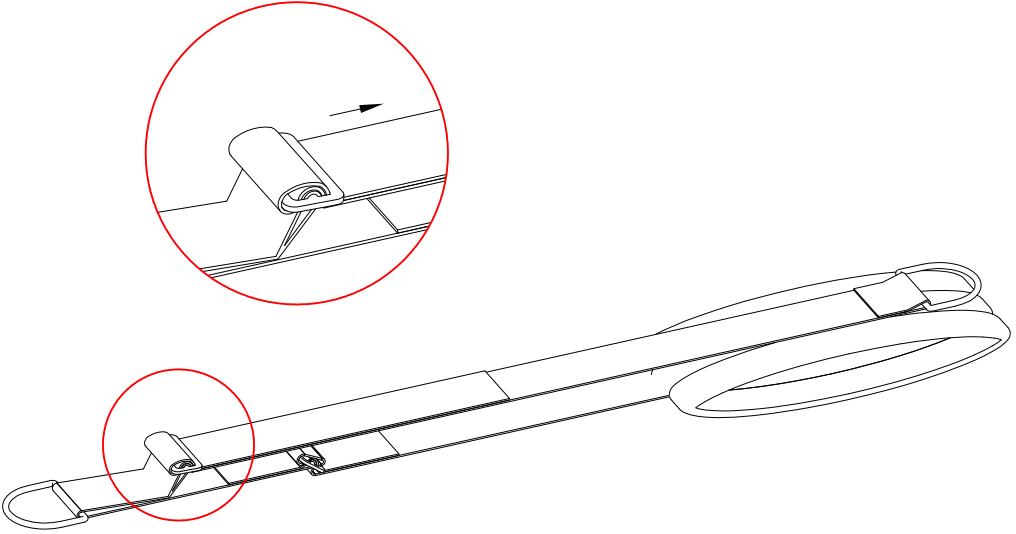
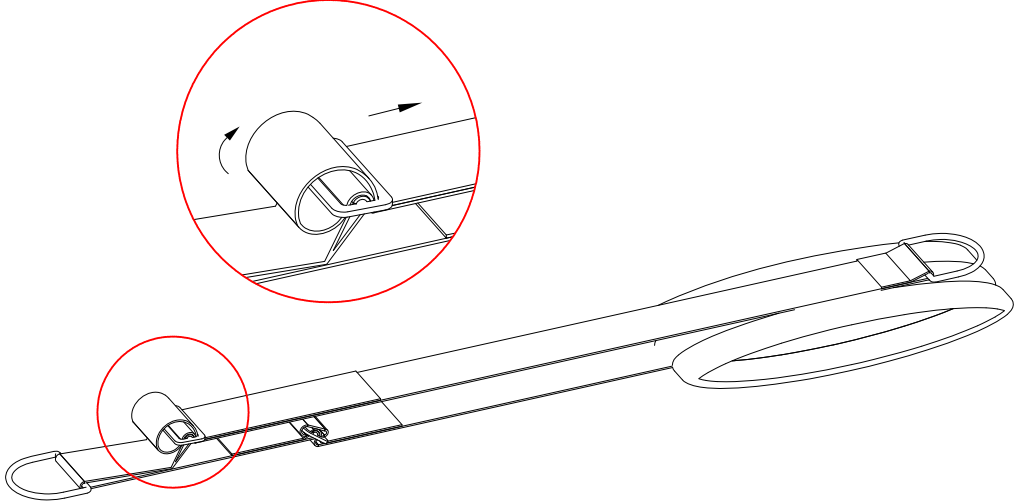
Step 02



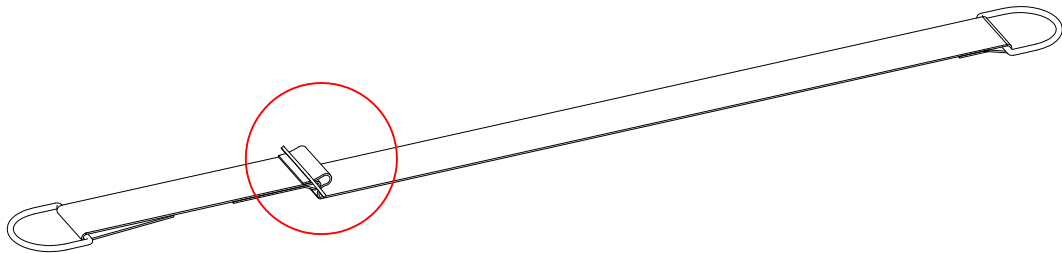
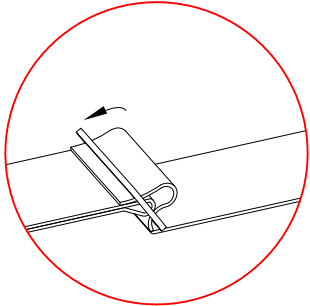
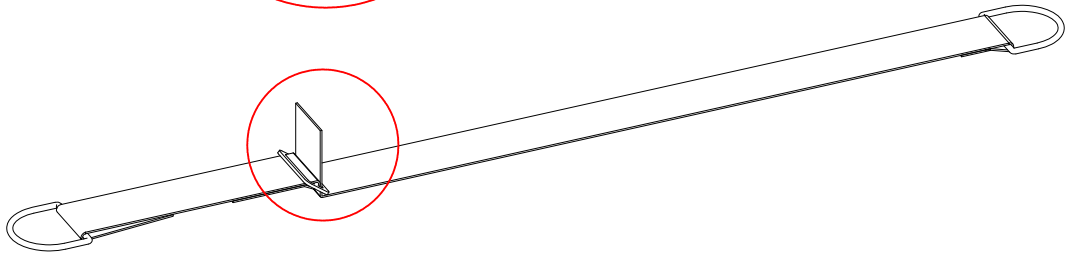
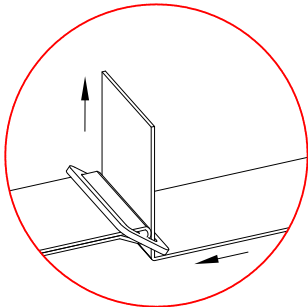
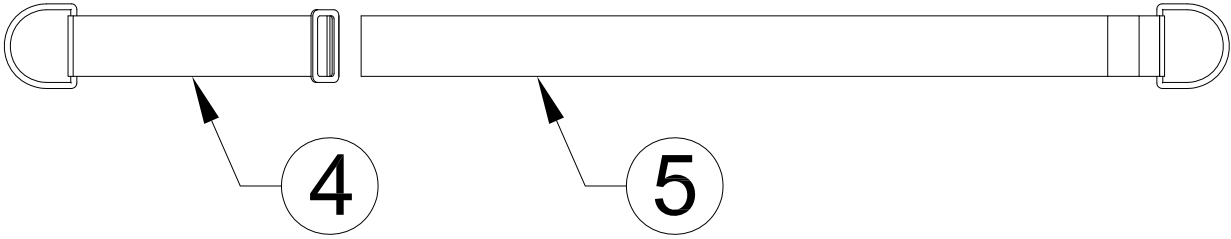
Step 03



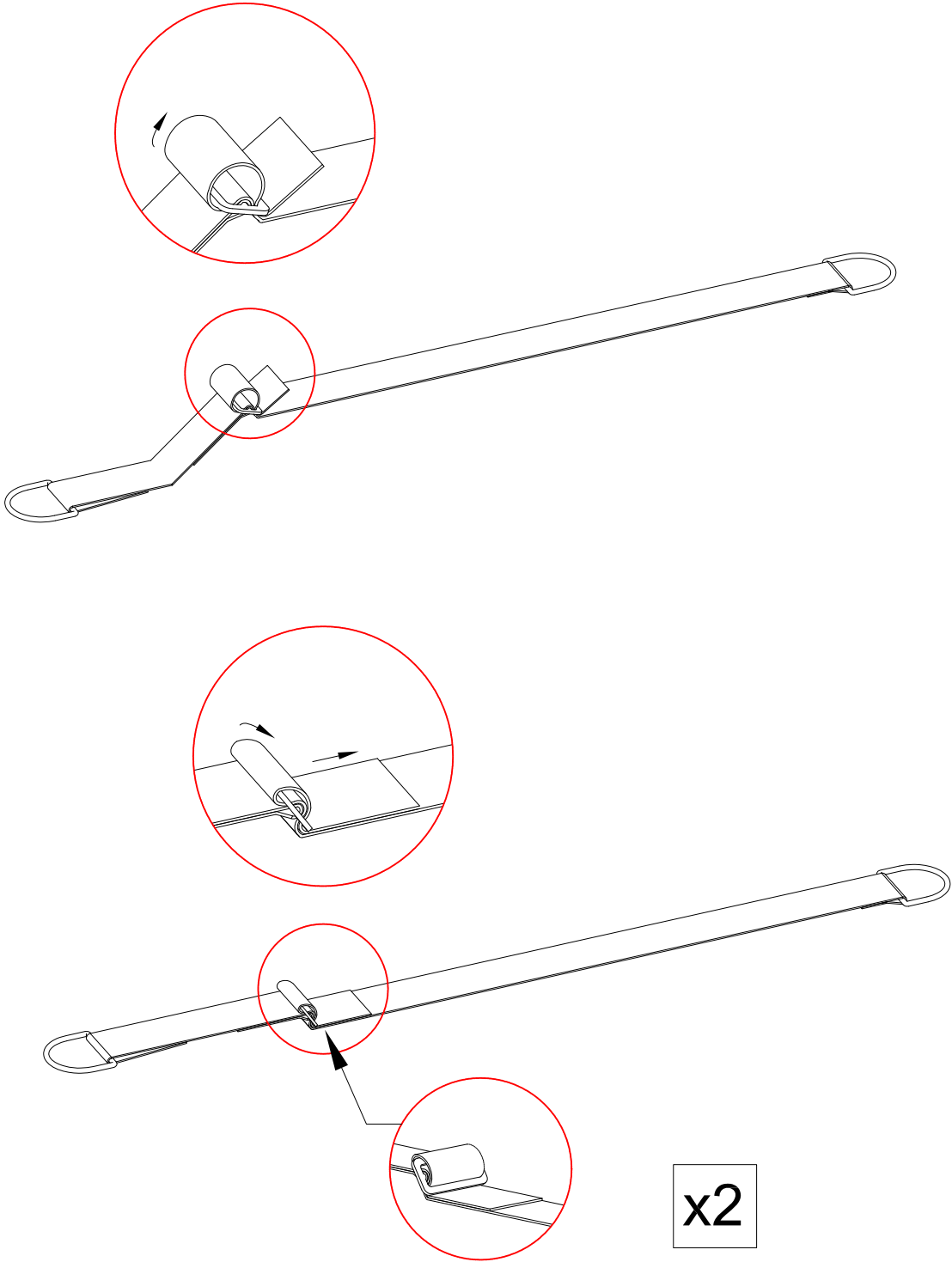
Step 04



Step 05

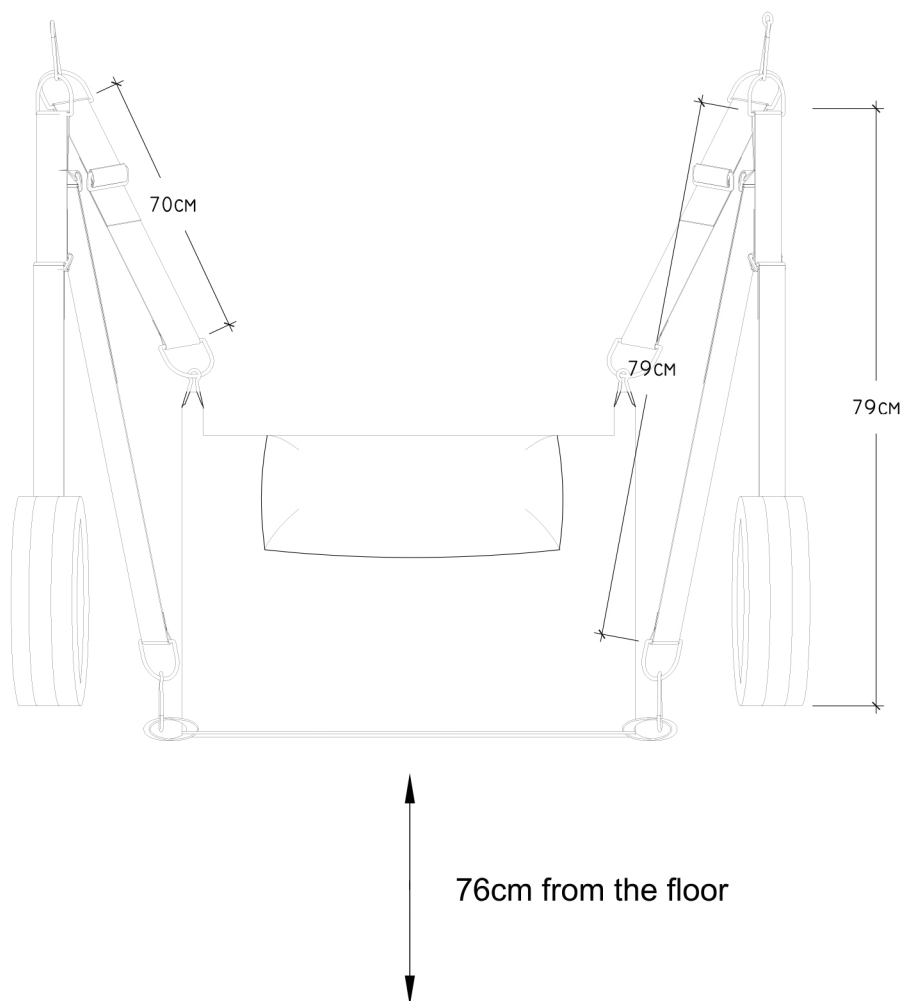


Step 06



x2

Step 07



Made in Europe / Hergestellt in Europa / Fabriqué en Europe